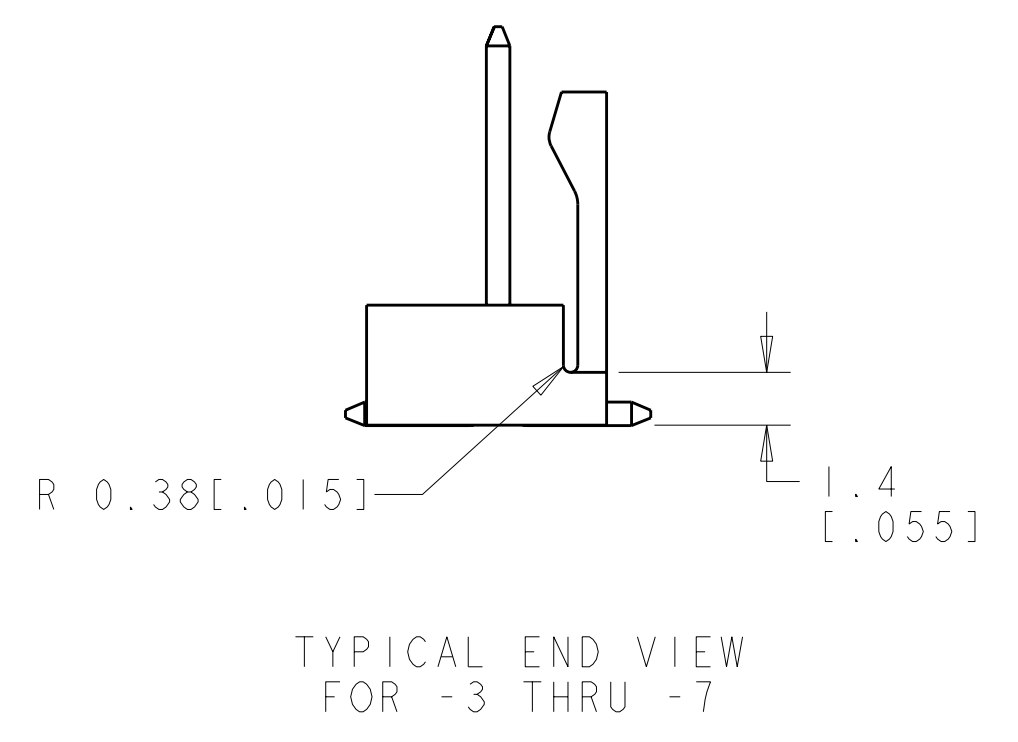
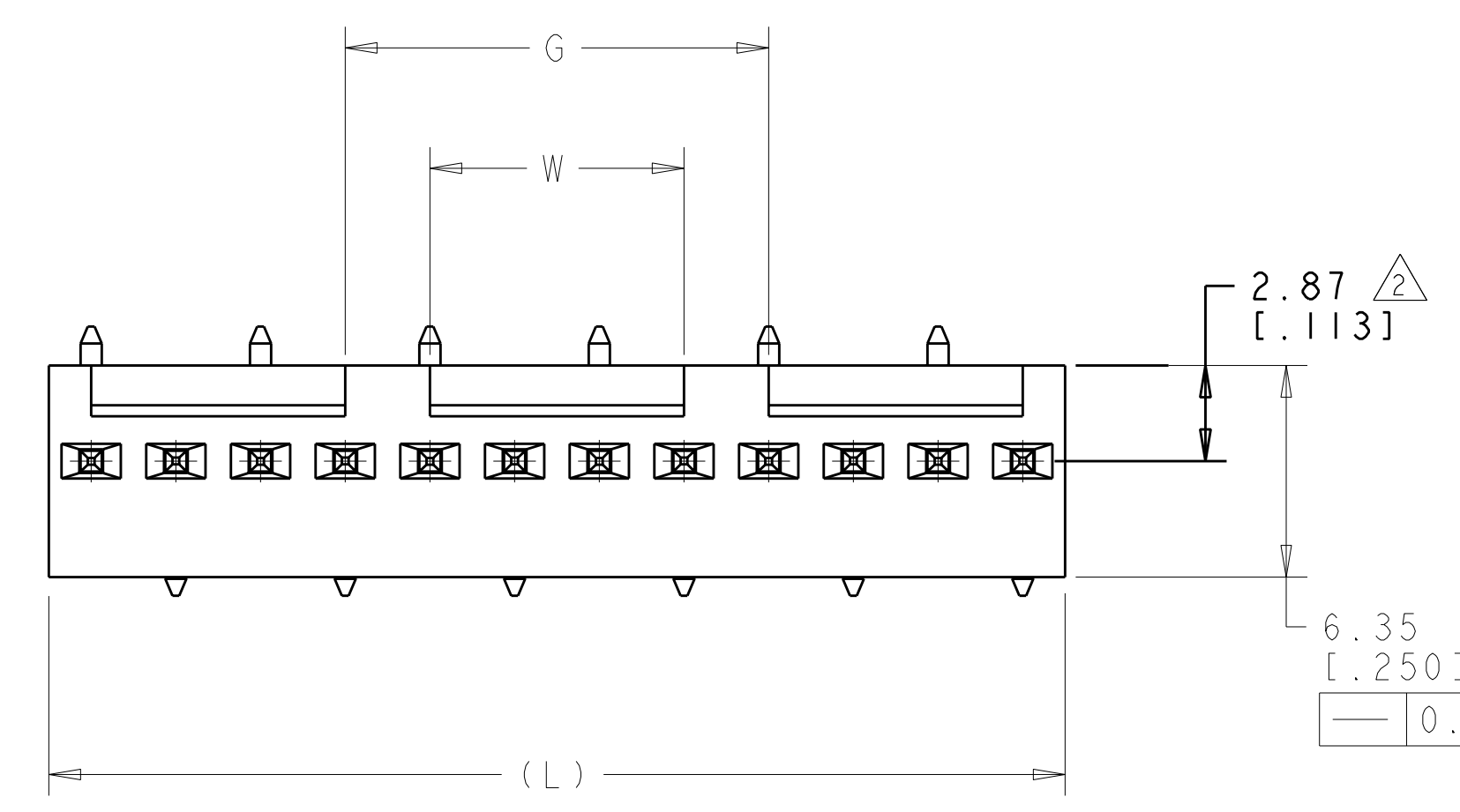
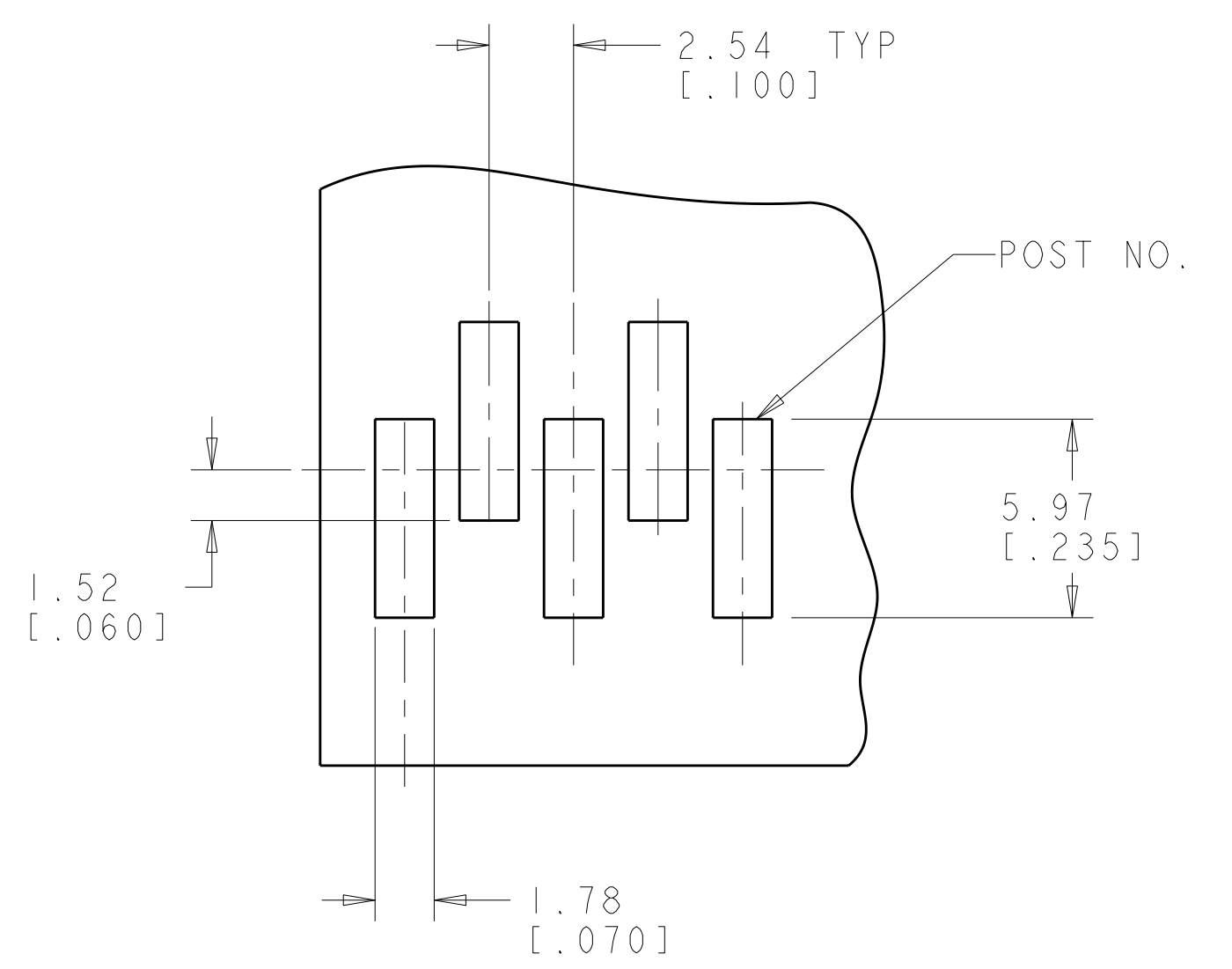
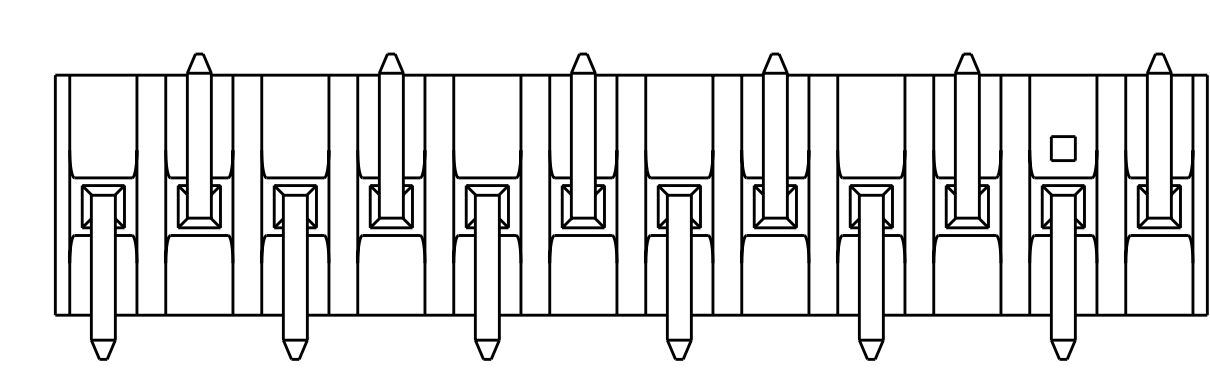
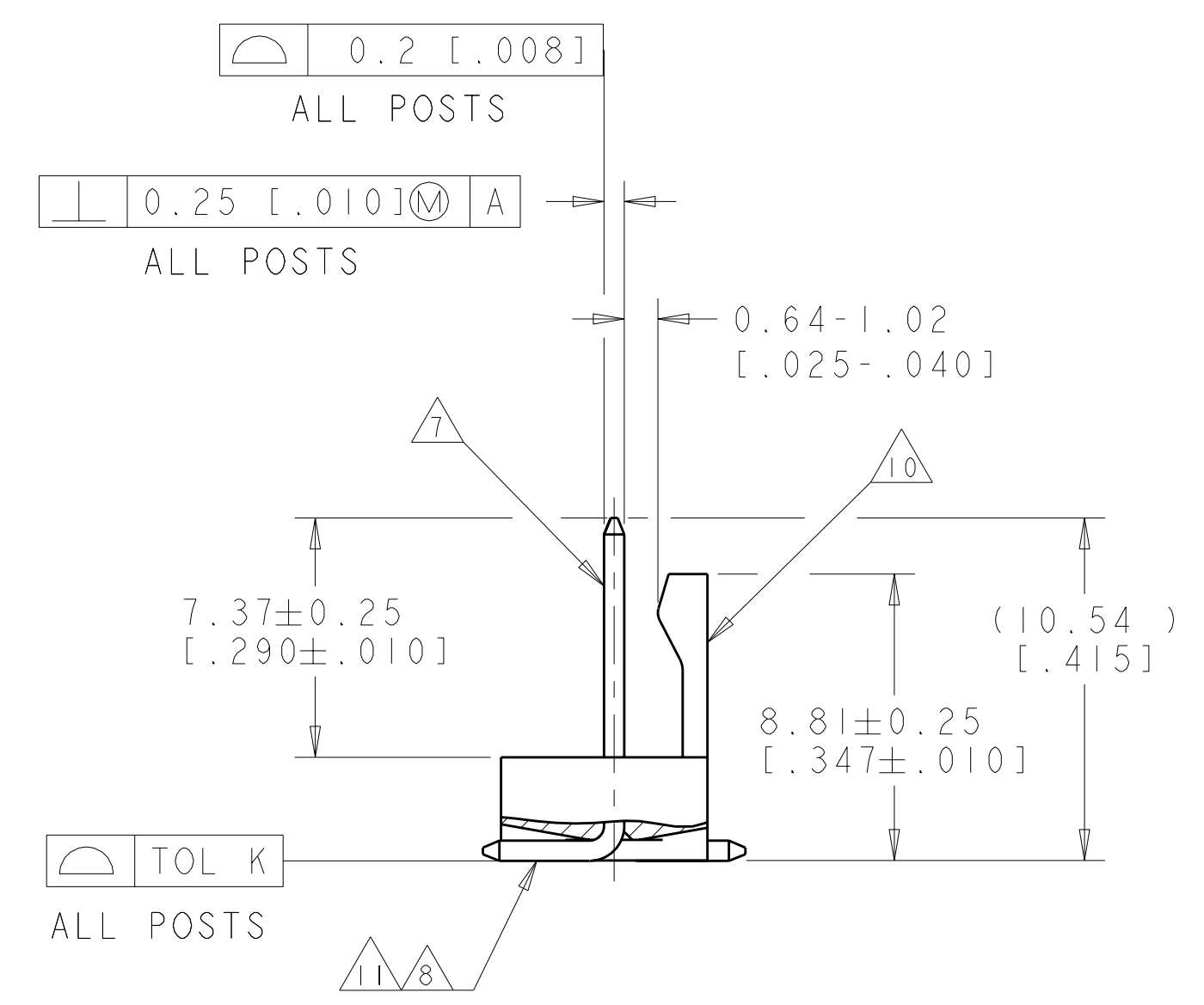
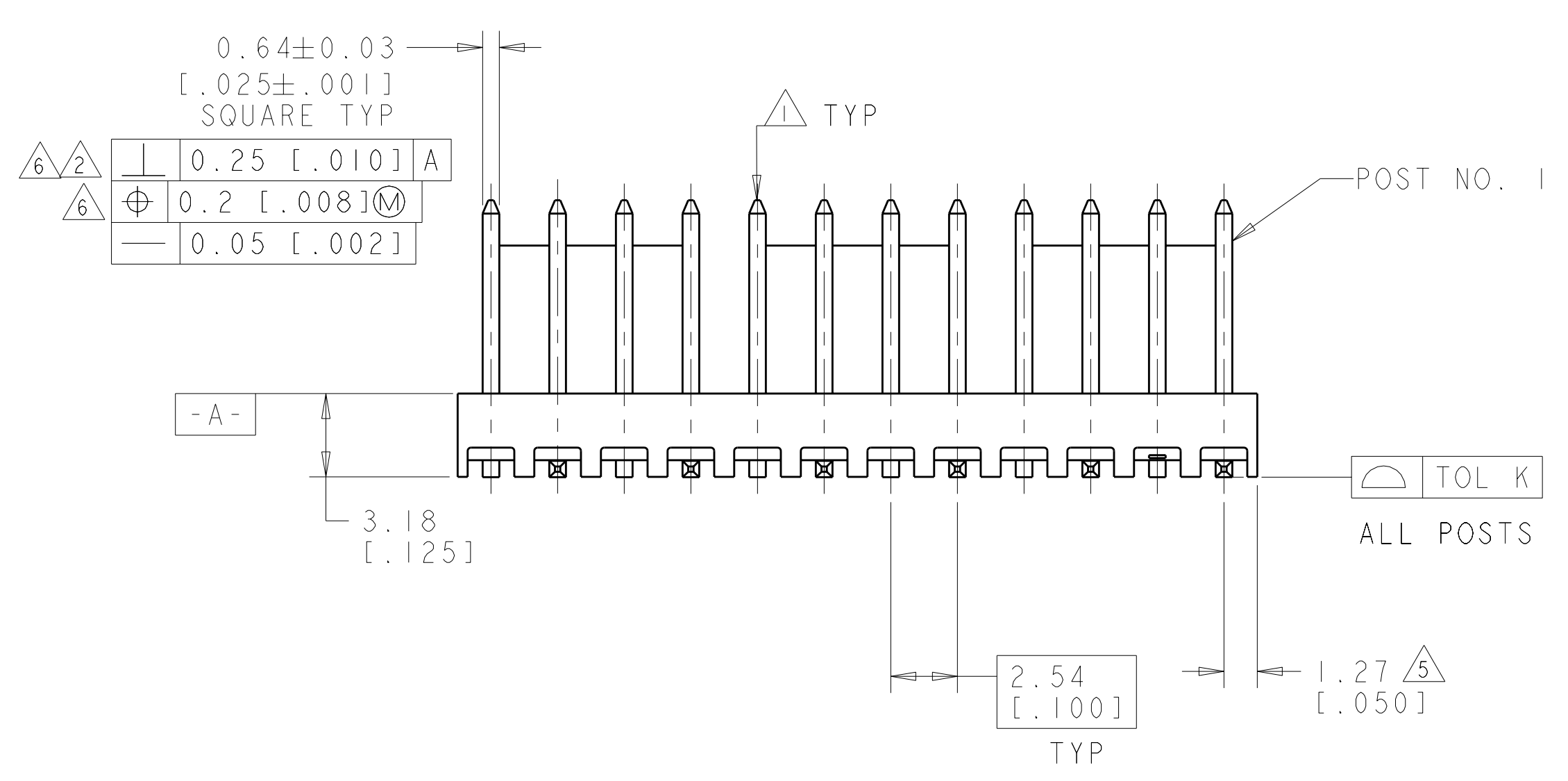


LOC	DIST	REVISIONS					
CM	00	P	LT#	DESCRIPTION	DATE	DWN	APVD
		L		ECO-07-018911	24SEP2007	KW	DB
		L		ECO-07-030039	22JAN2008	KW	DB



- 1 POST WITHSTAND 13 NEWTONS (3 LBS) MIN AXIAL FORCE IN DIRECTION SHOWN WITHOUT DISLODGING.
- 2 MEASURED AT -A-.
- 3. PARTS COMPLY WITH SOLDERABILITY SPEC 109-11-2.
- 4 MATERIAL:
HOUSING: NYLON, 4/6, HIGH TEMP, BLACK.
POST - COPPER ALLOY (SEE TABLE FOR PLATING).
- 5 COORDINATE DIMENSION APPLIES FROM CENTER OF ACTUAL FEATURE.
- 6 POSTS TO BE MEASURED WHEN STRIP HELD FLAT.
- 7 GOLD PLATED ARE, 0.00038 [0.00015] MIN, ALL SIDES, OVER NICKEL UNDERPLATE, 0.00127 [0.00050] MIN, ALL SIDES AND ENTIRE LENGTH OF POST.
- 8 BRIGHT TIN/LEAD (93/7) PLATE AREA, 0.00381-0.00889 [0.000150-.000350] THICK, ALL FOUR SIDES, 3.56 [0.140] MIN.
- 9. DIMENSIONS IN BRACKETS ARE IN INCHES.
- 10 AMP LOGO, UL, AND CSA TRADEMARKS TO APPEAR ON THIS SURFACE.
- 11 MATTE TIN PLATE AREA, 0.00381-0.00889 [0.000150-.000350] THICK, ALL FOUR SIDES, 3.56 [0.140] MIN.



7, 11	0.15 [0.006]	7.62 [0.300]	12.70 [0.500]	30.48 [1.200]	12	4-647167-2
	0.15 [0.006]	-	10.16 [0.400]	27.94 [1.100]	11	4-647167-1
	0.15 [0.006]	-	7.62 [0.300]	25.40 [1.000]	10	4-647167-0
	0.15 [0.006]	-	5.08 [0.200]	22.86 [0.900]	9	3-647167-9
	0.15 [0.006]	-	2.54 [0.100]	20.32 [0.800]	8	3-647167-8
	0.15 [0.006]	-	-	17.78 [0.700]	7	3-647167-7
	0.15 [0.006]	-	-	15.24 [0.600]	6	3-647167-6
	0.15 [0.006]	-	-	12.70 [0.500]	5	3-647167-5
	0.15 [0.006]	-	-	10.16 [0.400]	4	3-647167-4
	0.15 [0.006]	-	-	7.62 [0.300]	3	3-647167-3
7, 8	0.15 [0.006]	7.62 [0.300]	12.70 [0.500]	30.48 [1.200]	12	1-647167-2
	0.15 [0.006]	-	10.16 [0.400]	27.94 [1.100]	11	1-647167-1
	0.15 [0.006]	-	7.62 [0.300]	25.40 [1.000]	10	1-647167-0
	0.15 [0.006]	-	5.08 [0.200]	22.86 [0.900]	9	647167-9
	0.15 [0.006]	-	2.54 [0.100]	20.32 [0.800]	8	647167-8
	0.15 [0.006]	-	-	17.78 [0.700]	7	647167-7
	0.15 [0.006]	-	-	15.24 [0.600]	6	647167-6
	0.15 [0.006]	-	-	12.70 [0.500]	5	647167-5
	0.15 [0.006]	-	-	10.16 [0.400]	4	647167-4
	0.15 [0.006]	-	-	7.62 [0.300]	3	647167-3
POST FINISH	TOL K	W	G	L	NO OF POSN	PART NO

RECOMMENDED MOUNTING HOLE PATTERN FOR USE WITH 0.25 [0.010] THICK STENCIL



DIMENSIONS: mm [INCHES]		TOLERANCES UNLESS OTHERWISE SPECIFIED:		DWN: H. WHITAKER 14-NOV-2001 CHK: D. BOSSI 14-NOV-2001		tyco Tyco Electronics Harrisburg, PA 17105-3608	
9 PLC ± 5 PLC ±0.13(.005) 4 PLC ±	90° 30'	PRODUCT SPEC: MTA-100 HEADER ASSEMBLY, SURFACE MOUNT, FRICTION LOCK, .025 SQUARE STRAIGHT POST, .000015 GOLD		APVD: D. BOSSI 14-NOV-2001		NAME: MTA-100 HEADER ASSEMBLY, SURFACE MOUNT, FRICTION LOCK, .025 SQUARE STRAIGHT POST, .000015 GOLD	
MATERIAL: 4		FINISH: 4		APPLICATION SPEC:		SIZE: CAGE CODE DRAWING NO: A11 00779 C=647167	
CUSTOMER DRAWING				WEIGHT:		RESTRICTED TO:	